

Olarm PRO is a multichannel GSM (Dual SIM) and WiFi communicator which supports a wide range of peripherals enabling users to remotely monitor and control devices such as alarm systems or electric fences. The Olarm PRO will require an active subscription to function. Please contact your installer or speak to sales@olarm.co for more information.

Features & Benefits

Save time on-site

- Quick & easy to install
- Peripheral panel auto-detect
- Minimal device configuration

Save time & call outs

- Remotely program alarm panels*

Highly reliable & enhanced connectivity

- Simultaneous multi-network communication**
- Dual SIM & WiFi
- Encryption

Future proof

- Automatic firmware upgrades

Less stock management required

- One communicator supports most alarm panels.

Technology leader

- Constant innovation & integration of new models of alarm panels.

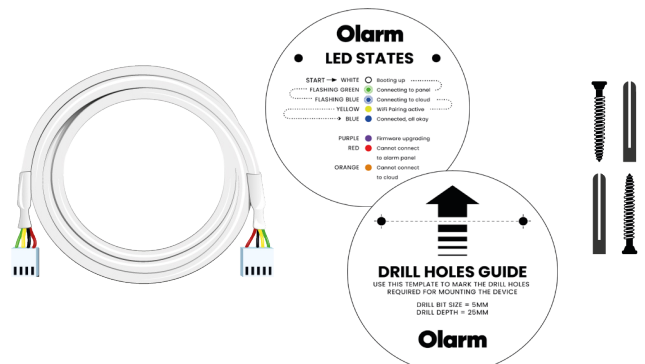
* With Paradox alarms only. ** Requires connection to WiFi network.

Certifications

- ETSI EN 301 511 V12.5.1 (2017-03)
- ETSI TS 151 010-1 V12.8.0 (2016-05)
- EN 301 489-1: V2.2.3
- EN 301 489-17: V3.1.1
- EN 301 489-52: V1.1.0
- EN 62368-1

The Olarm PRO box includes

- 1x Olarm PRO device
- 1x Connector cable
- 1x Drill hole template and LED colour legend
- 2x Screws and wall plugs



Technical specifications

Mechanical specifications

Packaged weight	175g
Packaged dimensions	150 x 150 x 46mm
Device weight	82g
Cable weight	28g
Device dimensions	125mm diameter & 33.5mm height
Enclosure material	ABS - Resin MG47F
Status indicator	RGB LED

Operating conditions

Temperature	-40 to 70°C
Humidity	0 - 90% RH

Power supply

Voltage	10 to 24V DC. Typically supplied from the alarm panel via the cable provided.
Current	Idle 60mA @13.8V DC, Transmit 350mA @13.8V DC

Peripheral cable specification

See installation guide for more information.

Cable	1 x 1 meter cable
Connectors	1 x 4 pin White Molex connector on one end of cable 1 x 5 pin White Molex connector on other end of cable

Capabilities

Paradox & Universal Ports

The data line and power lines on this port are connected together and the plugs are purely to cater for multiple alarm types i.e. these two ports can be seen as the same port with two connectors. The port is able to communicate using asynchronous or synchronous serial communication at 3.3V to 24V at sub 1MHz transmission speeds. In addition one is able to communicate using one wire communications methods. The wire used to communicate with these ports should never exceed 8 meters in length.

Output Port

The setup of the pin is primarily used for module expansion to do various tasks externally. Modules connected to this expansion module port should use a wire that does not exceed 1 meter in length. Please contact sales@olarm.co for more information on extenders for the Olarm PRO.

Radio / Wireless Technology

WiFi

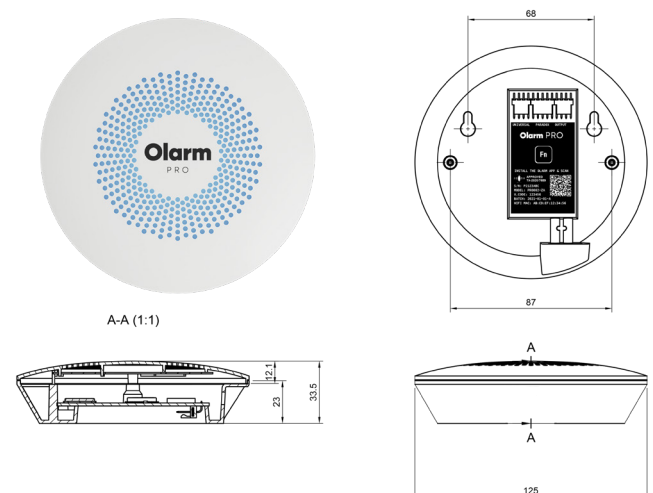
WiFi standards	IEEE 802.11b/g/n
Center frequency range of operating channel	2412 ~ 2484 MHz
Antenna type	Internal
Data rate	20MHz: <ul style="list-style-type: none"> 11b: 1, 2, 5.5 and 11 Mbps 11g: 6, 9, 12, 18, 24, 36, 48, 54 Mbps 11n: MCS0-7, 72.2 Mbps (Max) 40MHz: <ul style="list-style-type: none"> 11n: MCS0-7, 150 Mbps (Max)
Tx Power	13 to 19.5 dBm (Data rate dependant)
Rx Sensitivity	-69 to -97 dBm (Data rate dependant)
Encryption	WPA2-PSK

Mobile / 2G

Frequency Bands	GSM900 & DCS1800
SIM cards	2 x Full size SIM card slots (Pre-populated with Vodacom & MTN for South African market)
Antenna type	Internal
Tx Power	26.0 dBm at 900MHz 28.1 dBm at 1800 MHz

Mounting options

- 2 x Mounting holes on back of enclosure.
- Mounting template provided.
- Avoid double sided tape as access to WiFi pairing button may be required after installation.



Olarm PRO for Alarm Panels

Manufacturer Supported models

Paradox MG5050, SP6000, SP65, EVO192

DSC PC1555, PC1616, PC832, PC864, PC1808, PC1832, PC1864, PC5005, PC5010, PC5015, PC5020

Texecom Premier 412, Premier 816, Premier 816 PLUS, Premier 832

IDS 805, 806*, X16*, X64*

* Requires an adaptor board - sold separately.

Functionality	Paradox	Texecom	IDS	DSC
Zone status	●	●	●	●
Arm	●	●	●	●
Disarm	●	●	●	●
Stay arm	●	●	●	●
AC status	●	●	●	●
Bypassing	●	●	●	●
Multi-partition control	●	●	●	●
Silent panic	○	○	○	
PGM	●	○	○	
Remote programming*	●	○	○	
Zone name pulling	●			

○ Selected models * Via Olarm Remote Connect

Olarm PRO for Electric Fences

Manufacturer Supported models

- Nemtek**
- Druid 13LCD, 15LCD, 18LCD, 25LCD, 28LCD
 - Merlin 4i - *Coming soon*
 - Merlin Stealth M18S, M28X - *Coming soon*

Status	Druid	Merlin 4i	Merlin Stealth
Fence/zone state	●	●	●
Fence voltage mode	●	●	●
AC power status	●	●	●
Battery status	●	●	●
Service state	●	●	●
Gate status	●	●	●
Tamper	●	●	●

Actions	Druid	Merlin 4i	Merlin Stealth
Energizer			
Turn On & Off	●	●	●
Clear/Reset	●	●	●
Siren/Strobe - Enable/Disable	●	●	●
Service Alarms - Bypass/Reset	●	●	●
Gate status	●	●	●
Fence Voltage - Set High/Low	●	●	●
Zones			
Turn On & Off	●		
Bypass / Unbypass	●	●	●
Set Voltage - High/Low	●	●	●
Gate Alarm			
Set Immediate/Delayed	●	●	●
Chime Enable/Disable	●	●	●