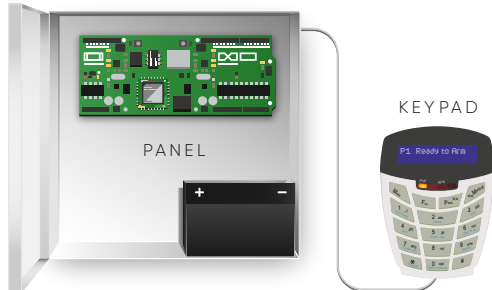


# Olarm PRO

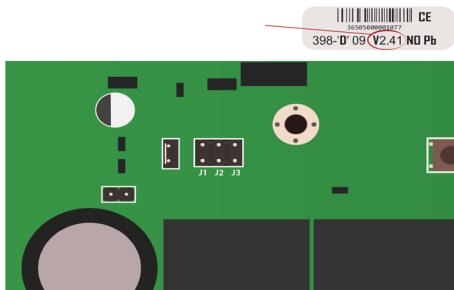
## STEP 1 Locate your alarm panel

Note that the alarm panel is not the keypad. Alarm panels are typically installed in a hidden location in the home such as a cupboard or basement.



## STEP 2 Verify the alarm panel's firmware version

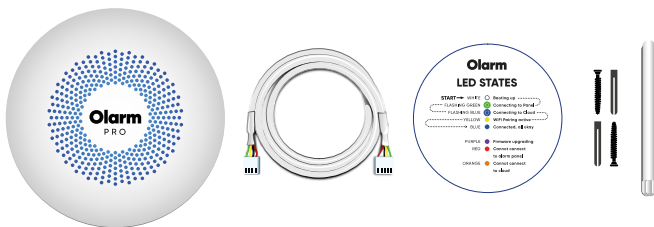
Olarm PRO only supports IDS X-Series alarm panels with firmware with version 2.5 and up. An alarm installer should be able to upgrade the alarm panel firmware if required. See the end of this manual for tips on how to view the alarm panel firmware version via the keypad.



## STEP 3 Unbox your Olarm PRO

The Olarm PRO box includes the following:

- 1x Olarm PRO device
- 1x Connector cable
- 1x Drill hole template and LED colour legend
- 2x Screws and wall plugs
- 1x External antenna (selected Olarm PRO models only)



## STEP 4 Download the Olarm mobile app and register your device



Scan QR code, or navigate to your App Store on your device and search for "Olarm".

# IDS X-Series Install Guide

[www.olarm.co/start](http://www.olarm.co/start)

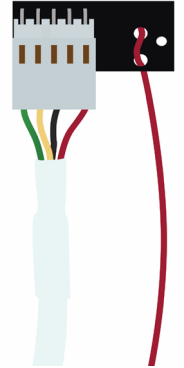
## STEP 5 Power down the alarm panel

Turn the power to your IDS X-Series alarm panel off at the mains and disconnect the battery.

## STEP 6 Connect the serial cable

Connect the 4-pin side of the supplied cable to the Universal port on the Olarm PRO.

Connect the 5-pin side of the supplied cable to an Olarm PRO IDS X-Series adapter board. These adapter boards are sold separately to the Olarm PRO and can be purchased directly from Olarm.

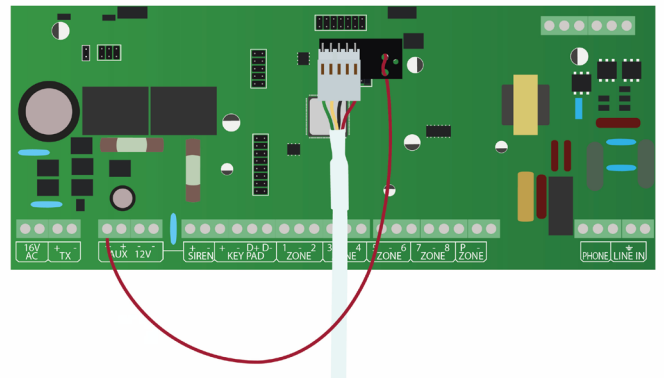


Please contact [sales@olarm.co](mailto:sales@olarm.co) should you want to order.

## STEP 7 Connect to the X-Series adaptor board to the alarm panel

Connect the Olarm IDS X-Series adapter board to the IDS X-Series Alarm panel as indicated below.

Wire the red 12V wire from the Olarm IDS X-Series adapter board into one of the AUX+ terminals on the alarm panel as illustrated below.



## STEP 8 Turn the alarm panel back on

Power your IDS X-Series alarm panel on again. The Olarm PRO should light up as per the chart below.

## STEP 9 Check your Olarm PRO's status

Colour	Status
○ White	▶ Booting Up
● Flashing Green	▶ Connecting to alarm panel
● Flashing Blue	▶ Connecting to cloud
● Blue	▶ Connected, all okay
● Red	▶ Cannot connect to alarm panel
● Orange	▶ Cannot connect to cloud
● Yellow	▶ WiFi pairing active
● Purple	▶ Firmware upgrading - do not power the device off

## STEP 10 Configure the alarm panel

This section will guide you through entering a series of codes / settings to allow the Alarm Panel and Olarm PRO to communicate.

The IDS X-Series alarm system caters for a range of keypads and they all work slightly different. Please follow the instructions relating to your keypad.



1. Ensure that the alarm system is powered up and on.
2. Ensure the alarm is disarmed.
3. Press # to clear the keypad.
4. Enter the installer menu by typing the installer code followed by a \*.
  - a. The default installer code is 9999 or 999999.
  - b. If these do not work, please contact the alarm installer who installed / manages the alarm system.
5. From the installer menu, enter the code 196 followed by \*.



6. Enter the serial security code 123456 followed by \*.



7. Press # button 2 to 3 times until you hear 4 to 5 beeps from the keypad, this will take you out of the installer menu.

8. The keypad will then display:



9. The Olarm PRO should turn a solid blue colour within 2 minutes.

## STEP 11 Mount the Olarm PRO

Mount your device using the screws and drill template provided.

We suggest mounting the Olarm PRO device on a wall or on the outside of the alarm panel. Please do NOT mount the Olarm PRO inside the alarm box or near any other radio equipment as it will reduce the signal strength and result in your device not functioning correctly.

## Troubleshooting

🟢 **If your device LED remains flashing Green for more than 3 minutes** - Please check the connection between the Olarm PRO and the alarm panel.

🔴 **If your device LED is Red** - Please check the connection between the Olarm PRO and the alarm panel.

🟡 **If your device LED is Orange** - Please ensure that the Olarm PRO is located in an area with good Vodacom and/or MTN signal strength. If it is not, please ensure that your device is connected to Wifi using the wizard inside the Olarm app.

⚡ **If your device LED is not coming on** - Please check the connection between the Olarm PRO and the alarm panel and that the alarm panel is connected to power.

🟣 **If your device LED remains purple for more than 15 minutes** - Please contact Olarm Support.

## TIP To check your alarm panel firmware version

Hold down the \* key on the keypad down for 3 seconds. You should see the following display.



Do NOT enter the Master Code at this stage, instead press \* which will then display the firmware version.

